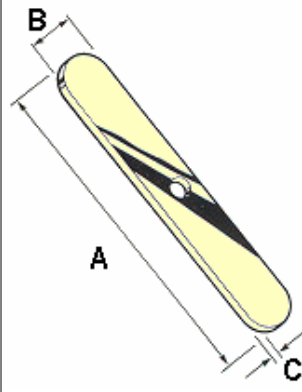


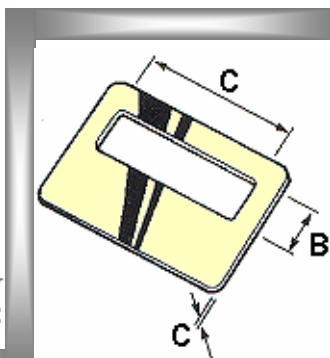
Accessories for Rucksacks & Tents
Tillbehör för ryggsäckar & Tält
Zubehöre für Rucksäcke & Zelten
Accessoires pour Sacs de Montagne & Tentes



Art Code	Mtrl Code	A MM	B MM	C MM	Kgs/ 1000	Pcs/ Box
1612-70-25	A03	70	12	2.5	5.3	2000
1612-95	A03	95	12	2.0	5.8	1500
1612-95-25	A03	95	12	2.5	7.3	1500



Pin with 4mm Hole

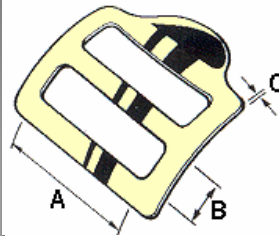
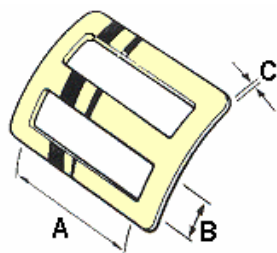


Rectangular Ring

Art Code	Mtrl Code	A MM	B MM	C MM	Kgs/ 1000	Pcs/ Box
1613-25	A03	25	8	2.0	3.1	3000
1613-25-11	A03	25	11	2.5	2.7	2500
1613-25-25	A03	25	25	2.5	4.0	2500

Art Code	Mtrl Code	A MM	B MM	C MM	Kgs/ 1000	Pcs/ Box
1614-14	A03	14	6	2.0	1.5	1000
1614-20	A03	20	6	2.0	2.0	1000
1614-25	A03	25	7	2.0	3.0	2500
1614-25-25	A03	25	7	2.5	3.7	2250

Slider

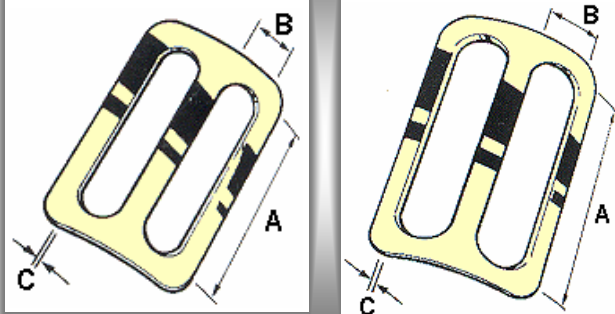


Slider with Tongue

Art Code	Mtrl Code	A MM	B MM	C MM	Kgs/ 1000	Pcs/ Box
1615-25	A03	25	8	2.0	3.9	1500

Art Code	Mtrl Code	A MM	B MM	C MM	Kgs/ 1000	Pcs/ Box
1616-30	A03	30	7	2.0	3.2	2000
1616-35	A03	35	7	2.0	3.5	1000
1616-40	A03	40	7	2.0	4.1	1000
1616-40	R00	40	7	3.0	18.2	700

Slider



Slider

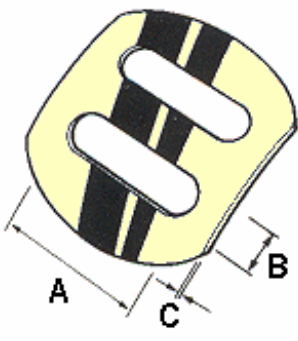
Art Code	Mtrl Code	A MM	B MM	C MM	Kgs/ 1000	Pcs/ Box
1617-40	A03	40	10	2.0	4.3	1000

Accessories for Rucksacks & Tents
Tillbehör för ryggsäckar & Tält
Zubehöre für Rucksäcke & Zelten
Accessoires pour Sacs de Montagne & Tentes

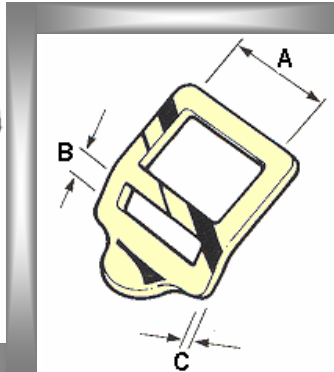


Art Code	Mtrl Code	A MM	B MM	C MM	Kgs/ 1000	Pcs/ Box
1619-26	J10	26	8	3.0	32.4	400
1619-26-25	J20	26	8	2.5	27.4	600

Slider



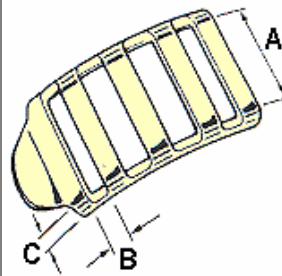
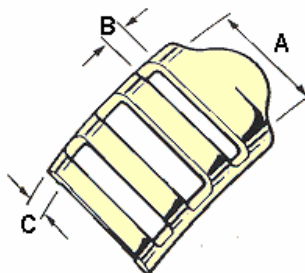
Slider with Tongue



Art Code	Mtrl Code	A MM	B MM	C MM	Kgs/ 1000	Pcs/ Box
1620-18	A03	18	3.5	2.0	2.2	2000

Art Code	Mtrl Code	A MM	B MM	C MM	Kgs/ 1000	Pcs/ Box
1622-14	A03	14	2.5	2.0	2.0	2500
1622-16	A03	16	2.5	2.0	2.1	2500
1622-20	A03	20	3.8	2.0	3.8	1500
1622-26 K	A03	26	4.0	2.0	5.4	1000
1622-26	A03	26	5.0	2.0	5.9	800
1622-26-25	A03	26	5.0	2.5	7.2	800

Ladder Lock

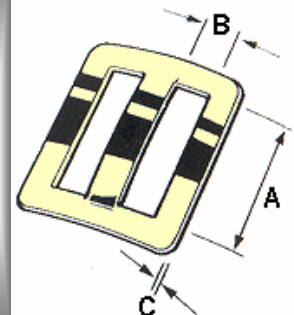
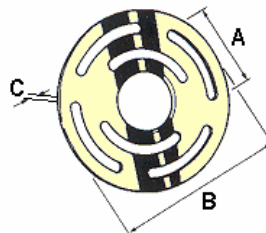


Ladder Lock

Art Code	Mtrl Code	A MM	B MM	C MM	Kgs/ 1000	Pcs/ Box
1622-20 S	A03	20	4.0	2.0	4.9	1000

Art Code	Mtrl Code	A MM	B MM	C MM	Kgs/ 1000	Pcs/ Box
1623-60	A03	60	28	2.0	7.2	750

Webbing Divider

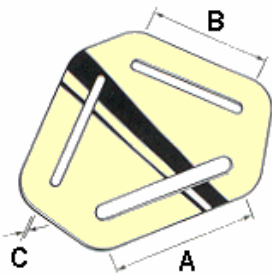


Slider with Raised Bridge

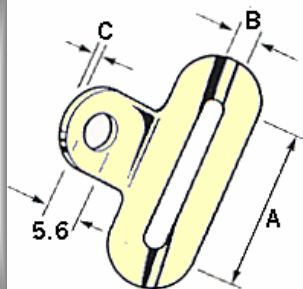
Art Code	Mtrl Code	A MM	B MM	C MM	Kgs/ 1000	Pcs/ Box
1624-20	A03	20	4.5	2.0	2.0	4000
1624-20-25	A03	20	4.5	2.5	2.5	3500
1624-25	A03	25	4.5	2.0	2.5	2500
1624-25-25	A03	25	4.5	2.5	3.2	2250
1624-50	A03	52	5.0	2.0	4.3	1000

Art Code	Mtrl Code	A MM	B MM	C MM	Kgs/ 1000	Pcs/ Box
1800-13	A03	40	33	2.0	13.5	750

Webbing Divider



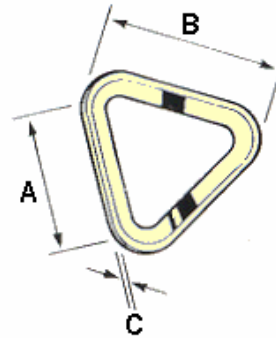
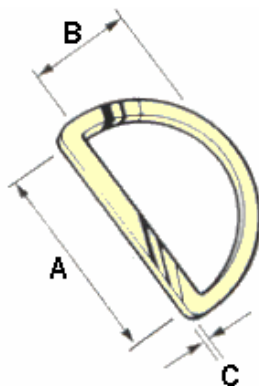
Angle Bracket



Art Code	Mtrl Code	A MM	B MM	C MM	Kgs/ 1000	Pcs/ Box
1805	A03	25	3.4	2.0	2.7	1000

Art Code	Mtrl Code	A MM	B MM	C MM	Kgs/ 1000	Pcs/ Box
1806-25	A03	25	12	2.0	1.0	1000

D-Ring

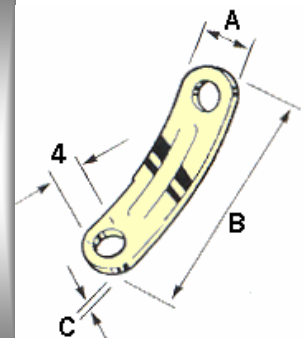
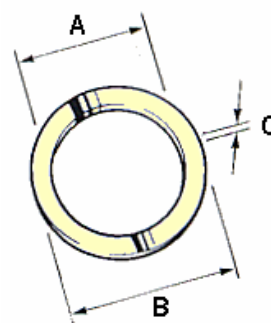


Triangle

Art Code	Mtrl Code	A MM	B MM	C MM	Kgs/ 1000	Pcs/ Box
1807-16	A03	16	24	2.0	1.0	2000

Art Code	Mtrl Code	A MM	B MM	C MM	Kgs/ 1000	Pcs/ Box
1808-13	A03	13	18	1.5	0.5	2500
1808-19	A03	19	25	2.0	1.0	1500

O-Ring

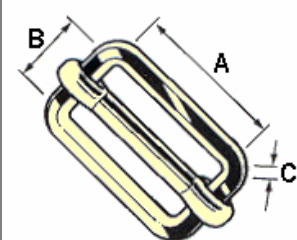


Runner

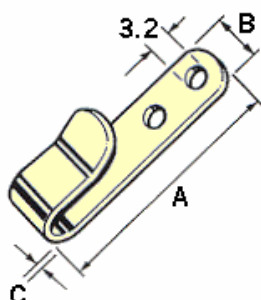
Art Code	Mtrl Code	A MM	B MM	C MM	Kgs/ 1000	Pcs/ Box
1809	A03	8.2	33	2.0	1.4	1500

Art Code	Mtrl Code	A MM	B MM	C MM	Kgs/ 1000	Pcs/ Box
1650-30	A03	30	14	3.0	6.7	1000

Rectangular Ring with Slider



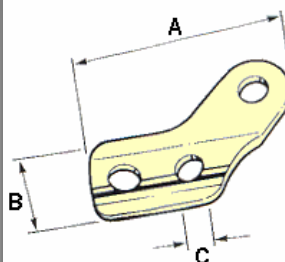
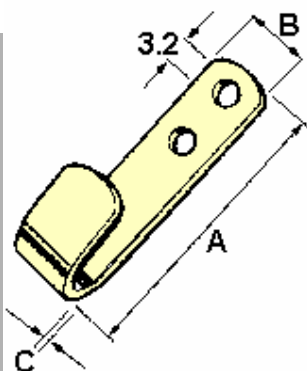
Hook



Art Code	Mtrl Code	A MM	B MM	C MM	Kgs/ 1000	Pcs/ Box
1800-64	A03	46	12	2.0	4.3	2000

Art Code	Mtrl Code	A MM	B MM	C MM	Kgs/ 1000	Pcs/ Box
1800-64	R00	48	12	2.0	13.4	1000

Hook



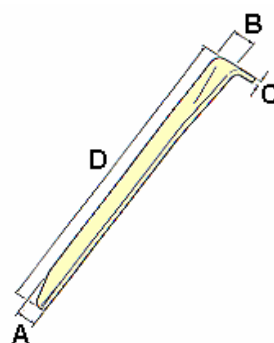
Runner

Art Code	Mtrl Code	A MM	B MM	C MM	Kgs/ 1000	Pcs/ Box
1811	A03	36	14.7	4	2.7	3500

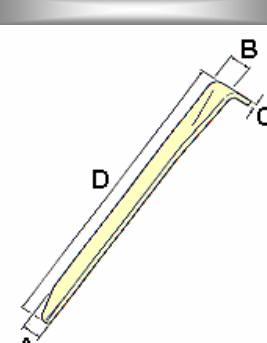
Art Code	Mtrl Code	A MM	B MM	C MM	D MM	Kgs/ 1000	Pcs/ Box
1815	A00	10	14	1.5	70-240		1000
1819	A00	10	14	1.9	70-240		1000
1819FH	A00	10	14	1.9	70-240		1000

FH= Full Harden, Fullhårdad, Voll Hard, Trempé
 These can be supplied with your name printed on the peg.

Tentpeg



Tentpeg



FH= Full Harden, Fullhårdad, Voll Hard, Trempé.

Art Code	Mtrl Code	A MM	B MM	C MM	D MM	Kgs/ 1000	Pcs/ Box
1818	A00	8	10.5	1.9	70-240		1000
1818FH	A00	8	10.5	1.9	70-240		1000

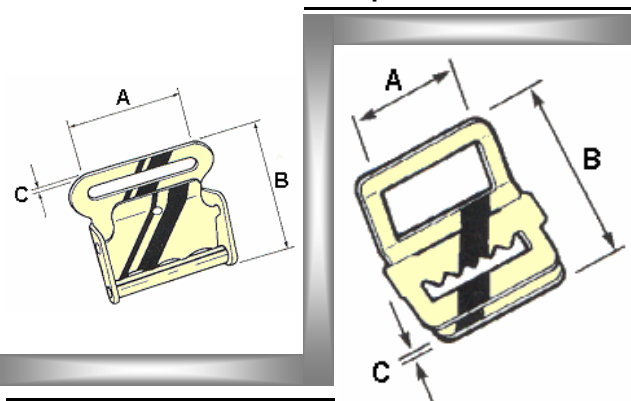
Accessories for Rucksacks & Tents
Tillbehör för ryggsäckar & Tält
Zubehöre für Rucksäcke & Zelten
Accessoires pour Sacs de Montagne & Tentes



Art Code	Mtrl Code	A MM	B MM	C MM	Kgs/ 1000	Pcs/ Box
3065-18	J10	18	32	1.0	11.0	1500
3065-25	J10	25	32	1.0	15.0	1200
3065-40	J10	40	36	2.0	36.5	500

Rectangular ring see section 8 page 1
 Rektangulär ring se Sektion 8 sidan 1
 Rechteckig ringe siehe abschnitt 8 seite 1
 Anneau rectangulaire voir secteur 8 page 1

Snapbuckle with Roller



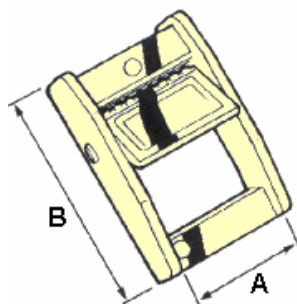
Buckle with Slider

Art Code	Mtrl Code	A MM	B MM	C MM	Kgs/ 1000	Pcs/ Box
3200-17	J20	17	28	1.0	6.0	500

Art Code	Mtrl Code	A MM	B MM	C* MM	Kgs/ 1000	Pcs/ Box
3060-25-1	Z00	26	40	250	30	100
3060-25-2	Z00	26	41	350	45	100
3060-25-3	Z00	26	50	480	76	100
3060-35	Z00	35	56	900	130	100

C* = Breaking Strength, Brottsgräns,
 Bruchgrenze, Resistance de rupture.

Cam Buckle

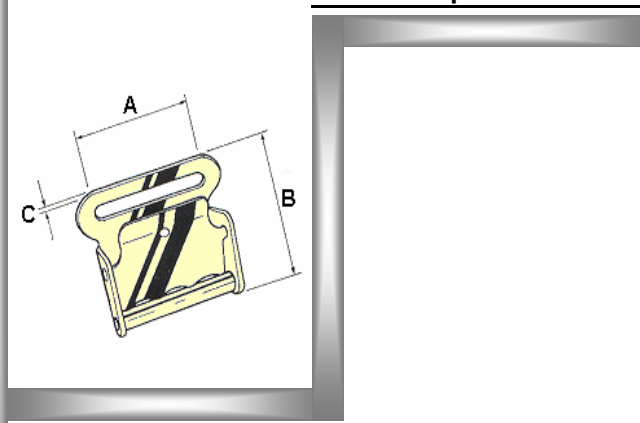


Art Code	Mtrl Code	A MM	B MM	C MM	Kgs/ 1000	Pcs/ Box
----------	-----------	------	------	------	-----------	----------

Art Code	Mtrl Code	A MM	B MM	C* MM	Kgs/ 1000	Pcs/ Box
3061-	J10	20	30.6	1.0	11.5	250
3061-	J10	25	36.6	1.0	16.7	150
3061-	J10	30	36.6	1.5	41.3	200
3061-	J10	40	36.6	1.5	41.3	200

Also available in black chrome
 Finns även i svart krom.

Snapbuckle



Art Code	Mtrl Code	A MM	B MM	C MM	Kgs/ 1000	Pcs/ Box
----------	-----------	------	------	------	-----------	----------